

2

1

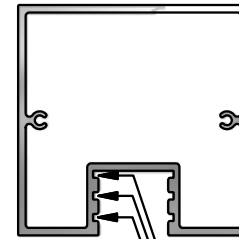
## PARTS LIST

ITEM	PART #	DESCRIPTION	NOTES
1	K1391/95	Series 4 SF Access Body / Radius Slide Cover	Assembly
2	1200	Series 2/3/4 Reveal	Attaches to the Body
3	K1333	Series 4 Square Post	Assembly
4	5433	Series 4 Square Post Cap	3/4" Reveal Tab
41	5040	Cap Screw	#10 countersink

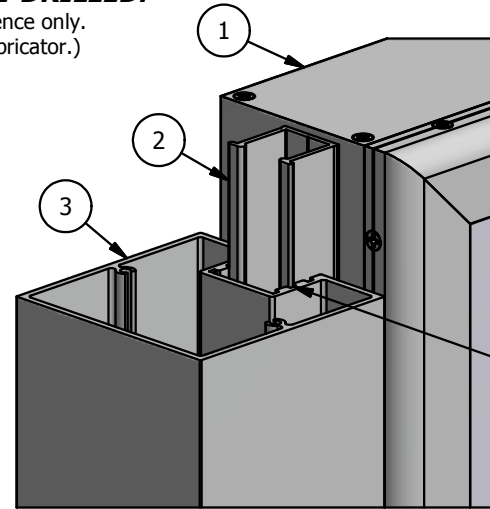
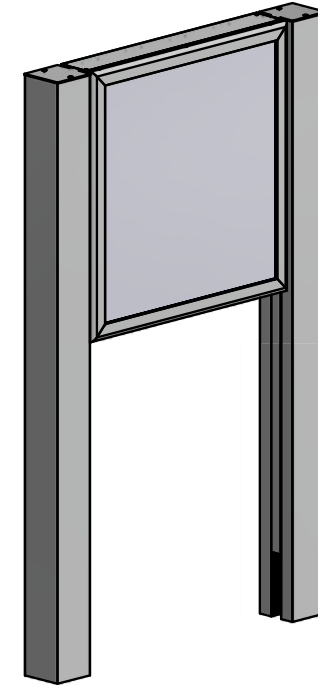
**NOTE: PRE-CUT KITS ARE NOT PRE-DRILLED.**

(Holes shown in this drawing are for reference only.  
Drilling of pilot holes are to be done by fabricator.)

## REVEAL SETTING OPTIONS



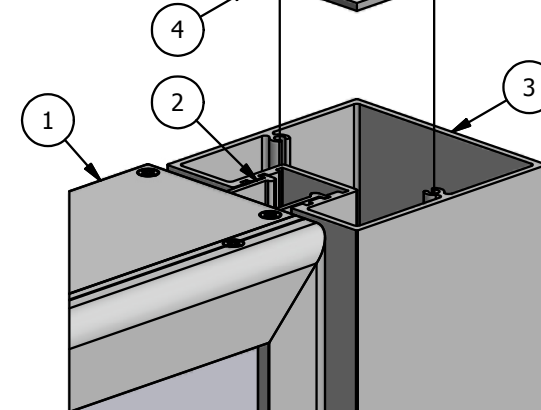
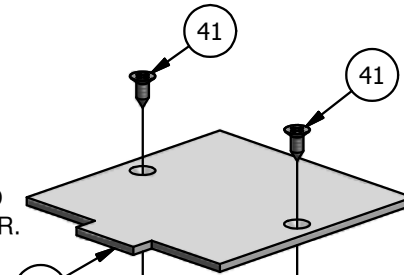
ZERO REVEAL  
3/8" REVEAL  
3/4" REVEAL



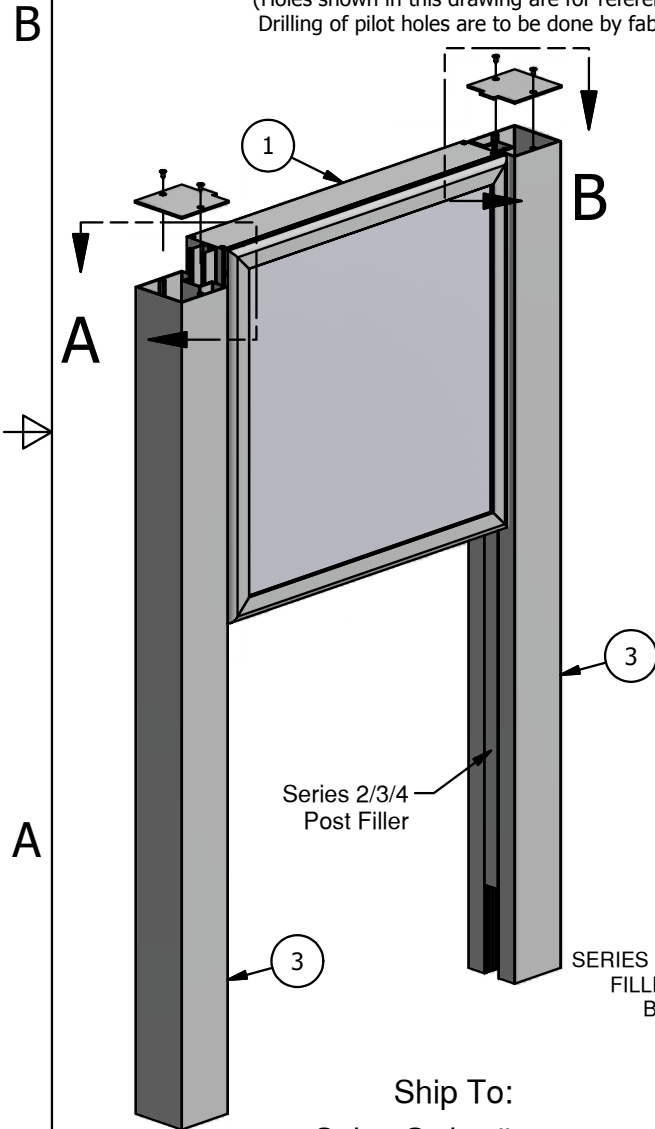
SLIDE THE BODY/CABINET ASSEMBLY INTO THE DESIRED REVEAL POSITION IN THE POST.

DETAIL A

NOTE: THE TAB ON THE CAP IS TO BE SHEERED DOWN TO THE DESIRED REVEAL BY FABRICATOR.



DETAIL B



Series 2/3/4  
Post Filler

SERIES 2/3/4 REVEAL/POST FILLER IS CUT TO FIT 6" BELOW THE GRADE.

FOOTING

Ship To:  
Sales Order #

THIS DRAWING WAS CREATED AT NO CHARGE TO ASSIST YOU IN VISUALIZING OUR PROPOSAL. THE DRAWING HEREIN IS THE PROPERTY OF SIGNCOMP. PERMISSION TO COPY OR REVISE THIS DRAWING OR TO USE THIS DRAWING FOR PRODUCTION IS STRICTLY PROHIBITED AND CAN ONLY BE COPIED, REVISED OR USED FOR PRODUCTION WITH THE EXPRESSED WRITTEN PERMISSION OF SIGNCOMP.

Project Name: Series 4 SF Access Body - Rad. Slide Cvr - Series 4 Sq Post - Ass. Sheet: 1 of 1 Size: A  
 Sign Company: K1391/95/33 Drawing By: SBreihof Date: 10/30/2017 Revision: 4

**SignComp**

Size: A

Sheet: 1 of 1

Ass. SBreihof

Date: 10/30/2017

Revision: 4

Part #: K1391/95/33

Project Name: Series 4 SF Access Body - Rad. Slide Cvr - Series 4 Sq Post - Ass.

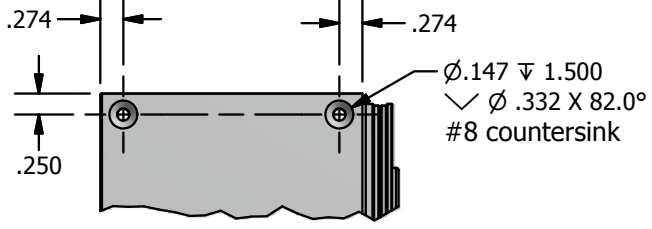
Sheet: 1 of 1

Size: A

Sign Company: K1391/95/33

2

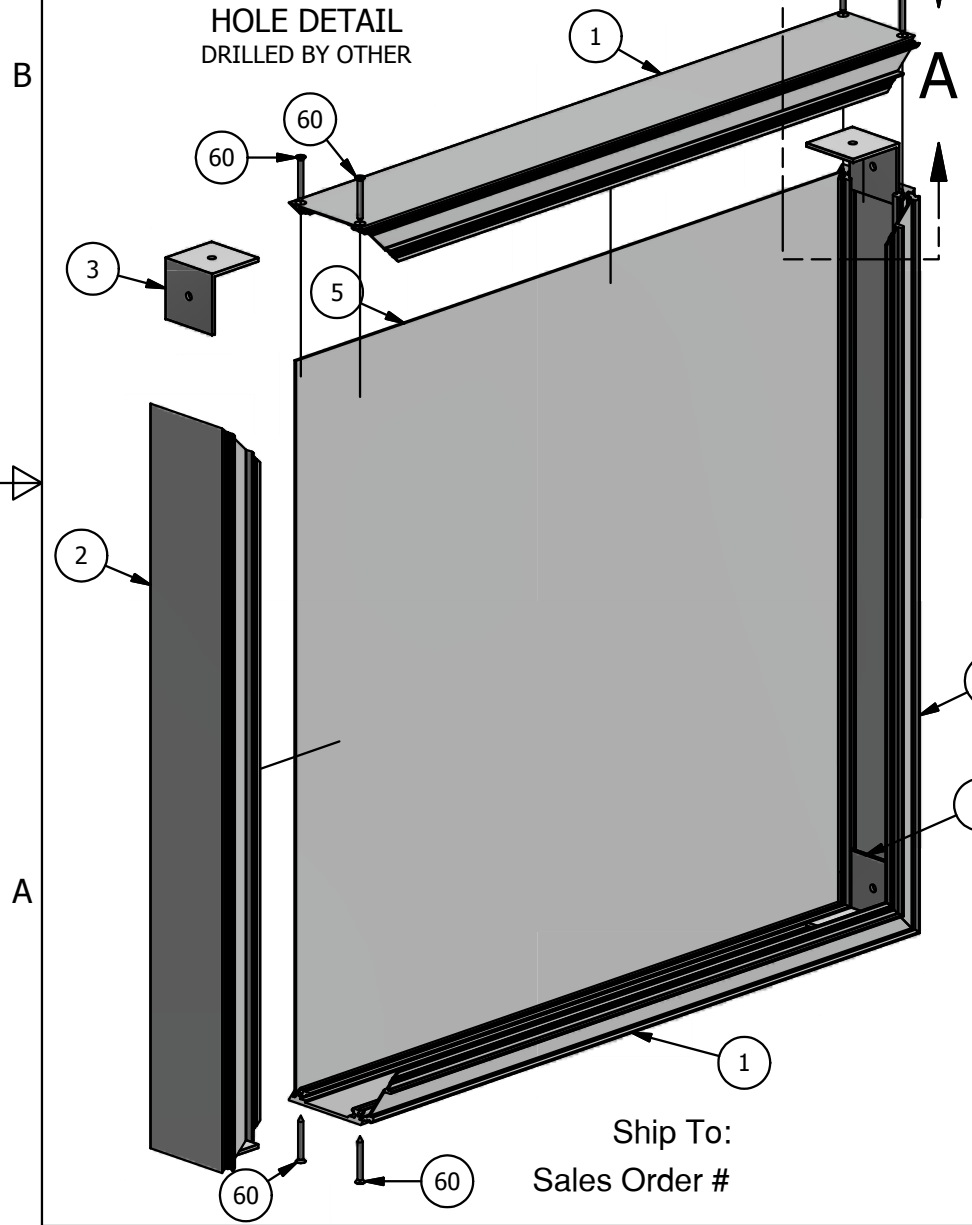
1



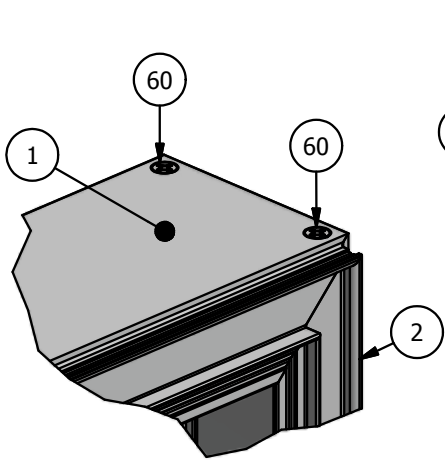
HOLE DETAIL  
DRILLED BY OTHER

PARTS LIST			
ITEM	PART #	DESCRIPTION	NOTES
1	1391	Series 4 Single Face Access Body	Top & Bottom
2	1391	Series 4 Single Face Access Body	Sides
3	5340	Series 4 Access Body Corner Angle	One (1) per body corner
5		.063 Aluminum Back	By Other
60	5270	Access Body Corner Screw	See hole detail

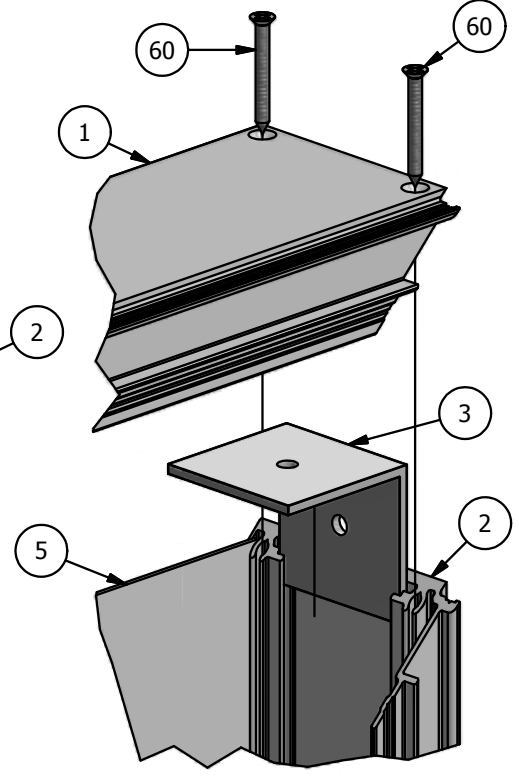
**NOTE: PRE-CUT KITS ARE NOT PRE-DRILLED.**  
(Holes shown in this drawing are for reference only.  
Drilling of pilot holes are to be done by fabricator.)



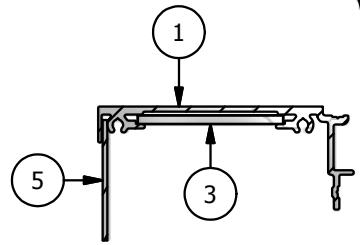
Ship To:  
Sales Order #



DETAIL A-2



DETAIL A-1



CABINET SECTION-VIEW

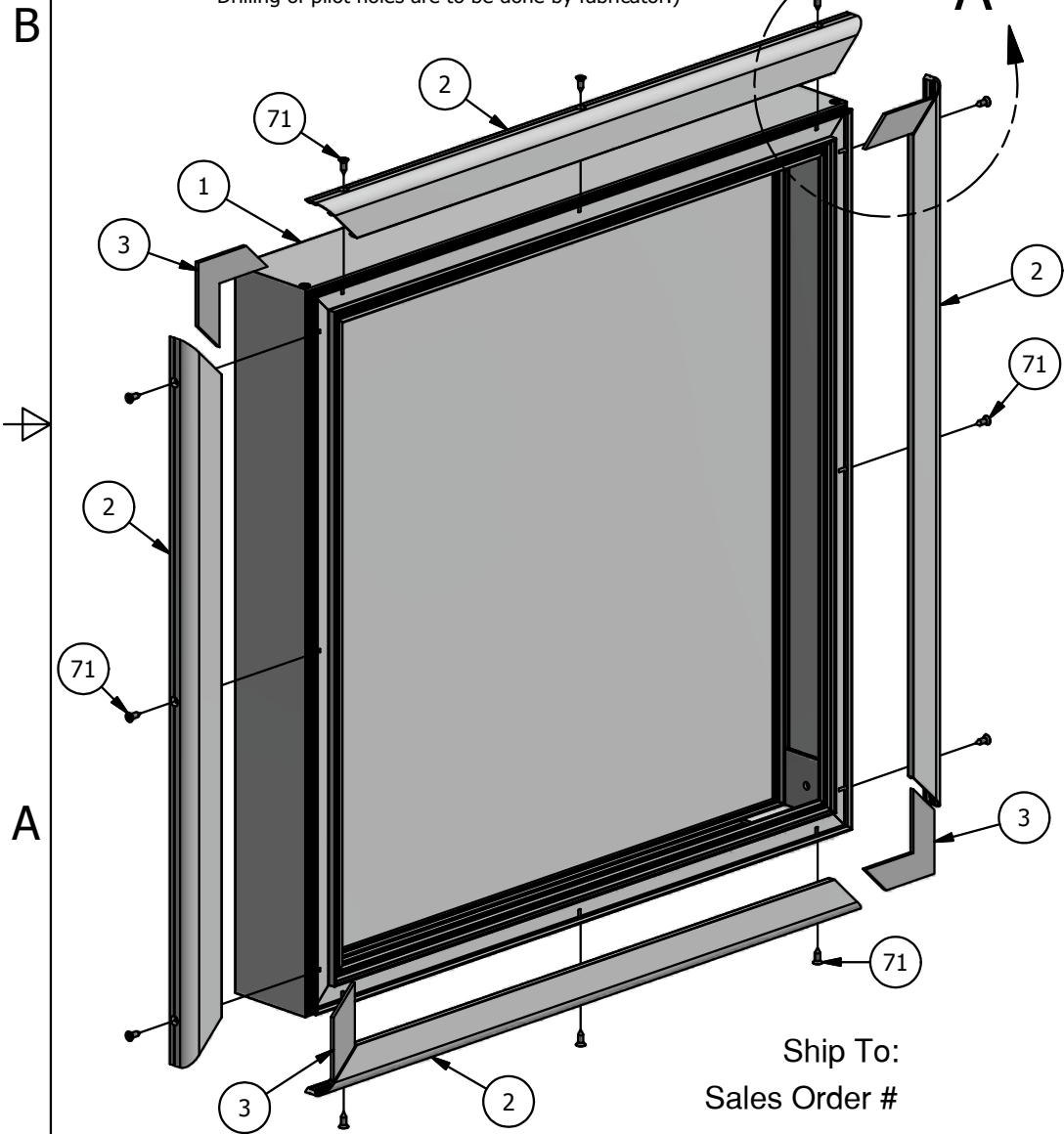
THIS DRAWING WAS CREATED AT NO CHARGE TO ASSIST YOU IN VISUALIZING OUR PROPOSAL. THE DRAWING HEREIN IS THE PROPERTY OF SIGNCOMP. PERMISSION TO COPY OR REVISE THIS DRAWING OR TO USE THIS DRAWING FOR PRODUCTION IS STRICTLY PROHIBITED AND CAN ONLY BE COPIED, REVISED OR USED FOR PRODUCTION WITH THE EXPRESSED WRITTEN PERMISSION OF SIGNCOMP.

Project Name: **Series 4 Single Face Access Body**  
 Sign Company: **K1391**  
 Revision: \_\_\_\_\_  
 Date: **3/22/2017**  
 Drawing By: **SBreihof**  
 Sheet: **1 of 1**  
 Size: **A**

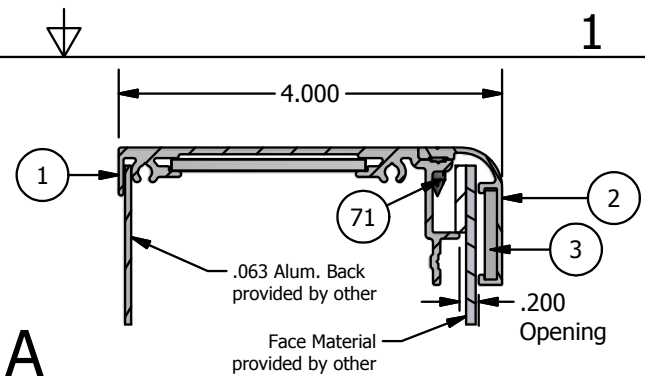


PARTS LIST			
ITEM	PART #	DESCRIPTION	NOTES
1	K1391	Series 4 SF Access Body	Assembly
2	1695	Radius Slide Cover	All Sides
3	5226	3/4" Corner Key	One (1) per corner
71	5168	Radius Slide Cover Screw	Drill #8 countersink

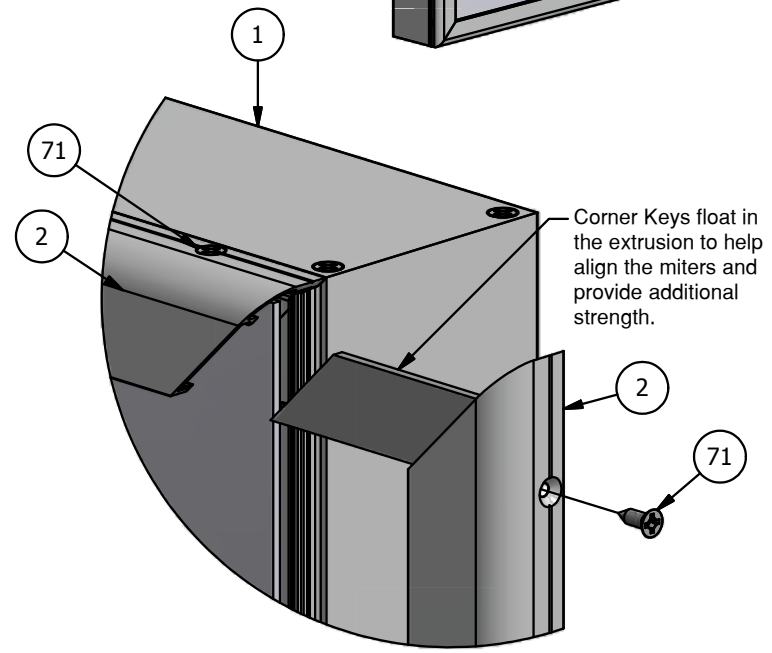
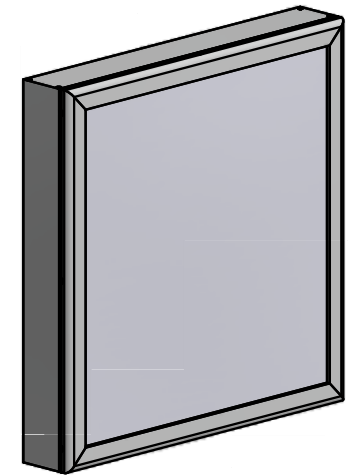
**NOTE: PRE-CUT KITS ARE NOT PRE-DRILLED.**  
 (Holes shown in this drawing are for reference only.  
 Drilling of pilot holes are to be done by fabricator.)



Ship To:  
Sales Order #



CROSS-SECTION



DETAIL A

THIS DRAWING WAS CREATED AT NO CHARGE TO ASSIST YOU IN VISUALIZING OUR PROPOSAL. THE DRAWING HEREIN IS THE PROPERTY OF SIGNCOMP. PERMISSION TO COPY OR REVISE THIS DRAWING OR TO USE THIS DRAWING FOR PRODUCTION IS STRICTLY PROHIBITED AND CAN ONLY BE COPIED, REVISED OR USED FOR PRODUCTION WITH THE EXPRESSED WRITTEN PERMISSION OF SIGNCOMP.

Project Name:	Series 4 SF Access Body w/ Radius Slide Cover - Assembly	Sheet:	1 of 1	Size:	A
Sign Company:	K1391/95	Date:	10/23/2017	Drawing By:	SBreihof

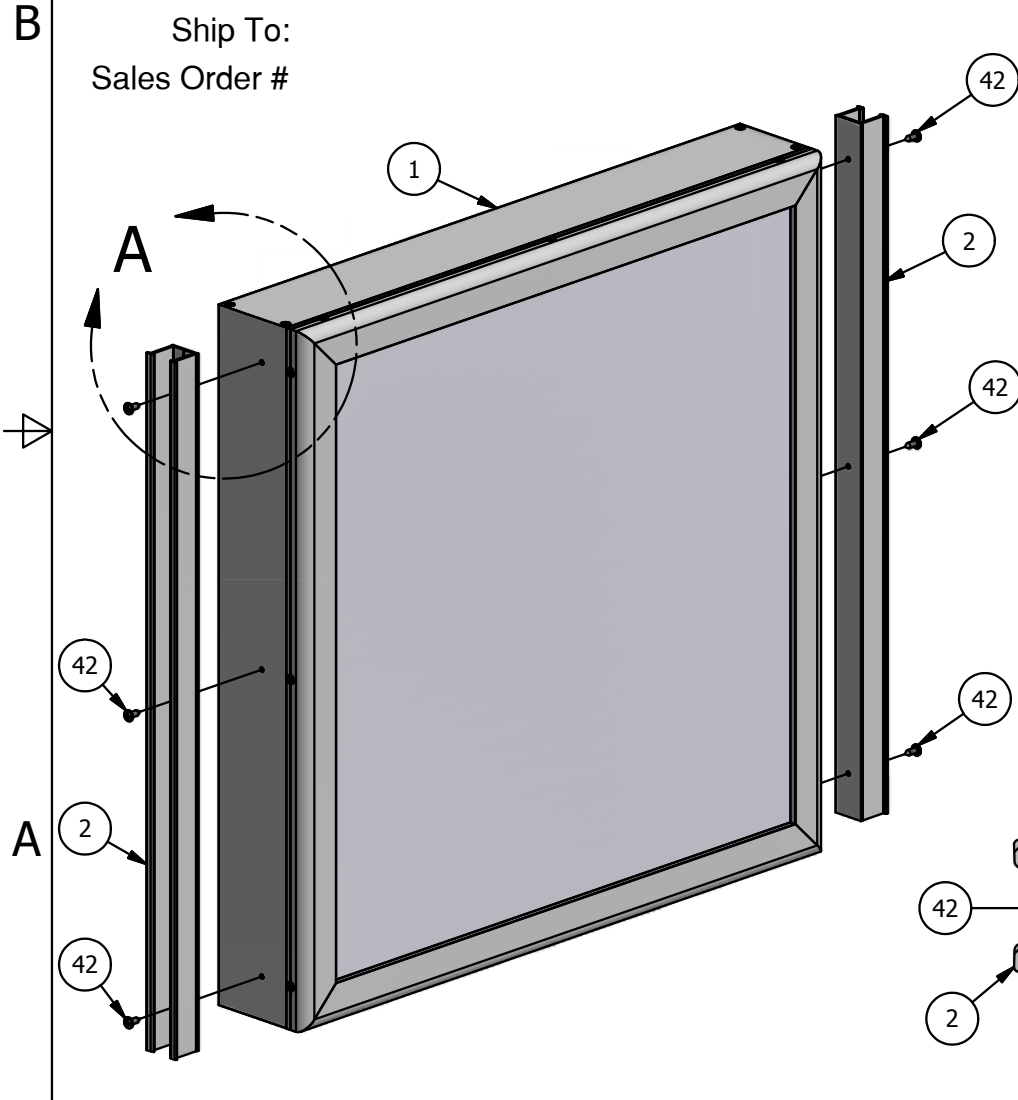
**SignComp**

PARTS LIST			
ITEM	PART#	DESCRIPTION	NOTES
1	K1391/95	Series 4 SF Access Body / Radius Slide Cover	Assembly
2	1200	Series 2/3/4 Reveal	
42	5218	Reveal to Body Screw	Drill 5/32" pilot hole

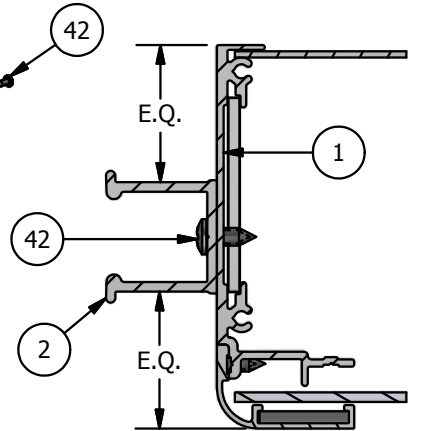
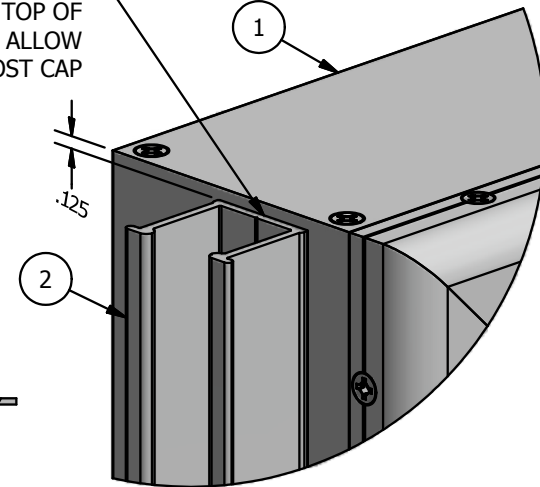
**NOTE: PRE-CUT KITS ARE NOT PRE-DRILLED.**

(Holes shown in this drawing are for reference only.  
Drilling of pilot holes are to be done by fabricator.)

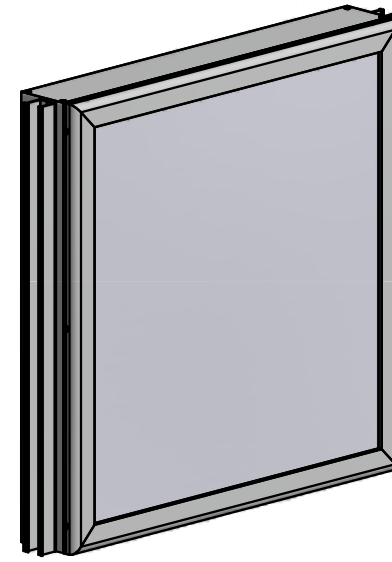
Ship To:  
Sales Order #



REVEAL IS FASTENED 1/8" DOWN FROM THE TOP OF THE CABINET TO ALLOW FOR THE POST CAP



VERTICAL SECTION VIEW



THIS DRAWING WAS CREATED AT NO CHARGE TO ASSIST YOU IN VISUALIZING OUR PROPOSAL. THE DRAWING HEREIN IS THE PROPERTY OF SIGNCOMP. PERMISSION TO COPY OR REVISE THIS DRAWING OR TO USE THIS DRAWING FOR PRODUCTION IS STRICTLY PROHIBITED AND CAN ONLY BE COPIED, REVISED OR USED FOR PRODUCTION WITH THE EXPRESSED WRITTEN PERMISSION OF SIGNCOMP.

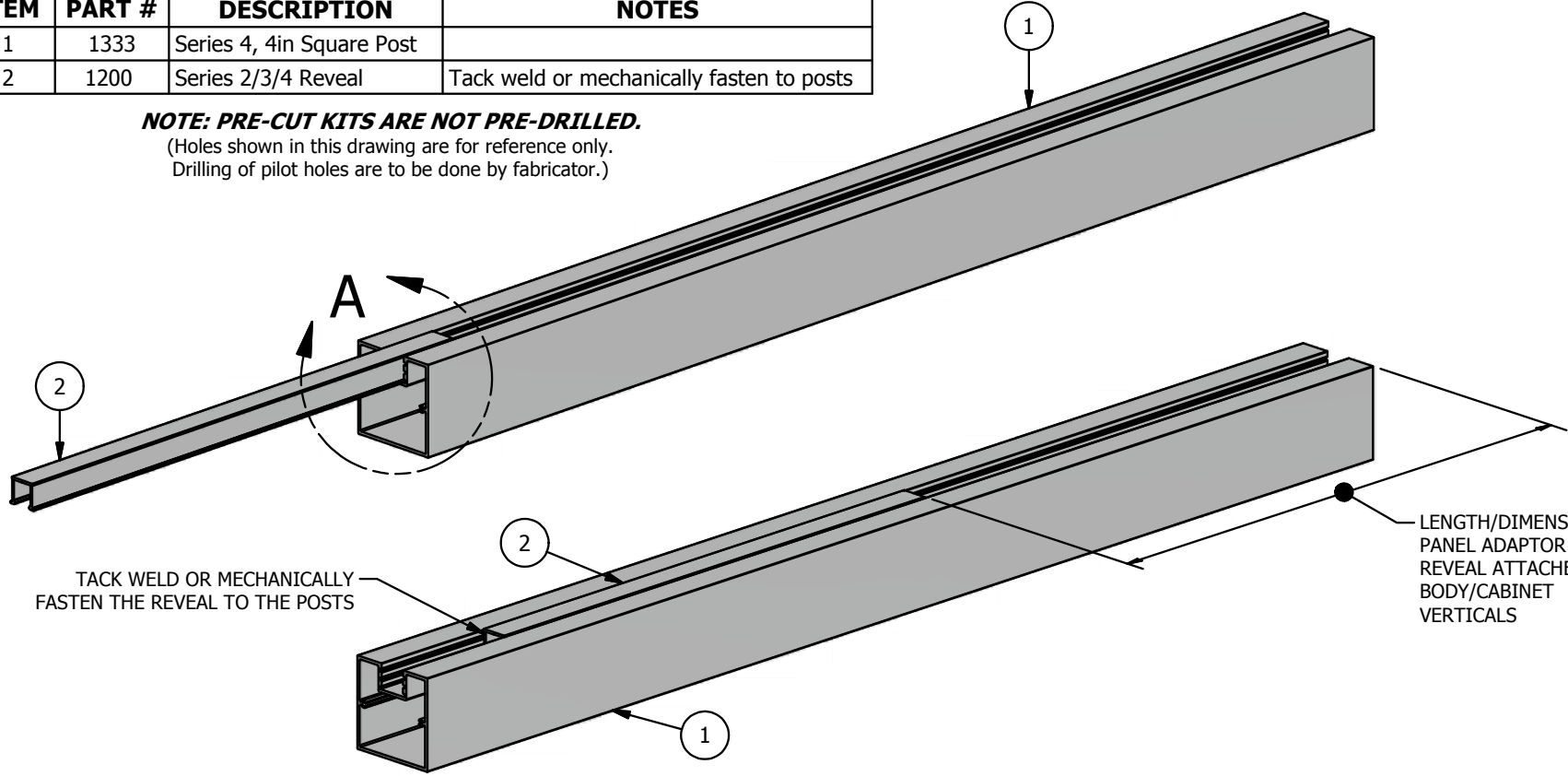
Project Name:	Series 4 SF Access Body w/ Rad. Slide Cvr - Series 2/3/4 Reveal	Sheet:	1 of 1	Size:	A
Sign Company:	K1391/95 - Reveal	Revision:		Drawing By:	SBreihof
		Date:	10/24/2017		

**SignComp**

**PARTS LIST**

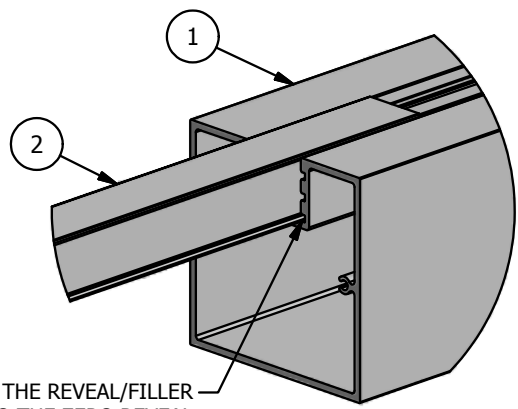
ITEM	PART #	DESCRIPTION	NOTES
1	1333	Series 4, 4in Square Post	
2	1200	Series 2/3/4 Reveal	Tack weld or mechanically fasten to posts

**NOTE: PRE-CUT KITS ARE NOT PRE-DRILLED.**  
 (Holes shown in this drawing are for reference only.  
 Drilling of pilot holes are to be done by fabricator.)



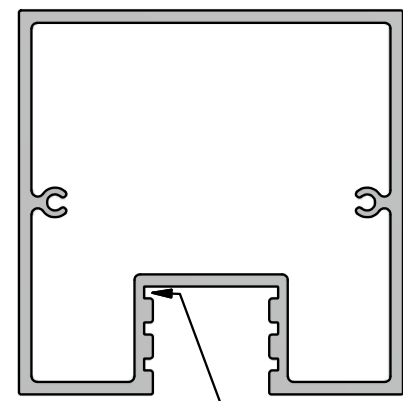
TACK WELD OR MECHANICALLY FASTEN THE REVEAL TO THE POSTS

LENGTH/DIMENSION OF PANEL ADAPTOR OR REVEAL ATTACHED TO BODY/CABINET VERTICALS



DETAIL A

INSERT THE REVEAL/FILLER INTO THE ZERO REVEAL POSITION, THEN SLIDE IT INTO THE POST



ZERO REVEAL

Ship To:  
Sales Order #

THIS DRAWING WAS CREATED AT NO CHARGE TO ASSIST YOU IN VISUALIZING OUR PROPOSAL. THE DRAWING HEREIN IS THE PROPERTY OF SIGNCOMP. PERMISSION TO COPY OR REVISE THIS DRAWING OR TO USE THIS DRAWING FOR PRODUCTION IS STRICTLY PROHIBITED AND CAN ONLY BE COPIED, REVISED OR USED FOR PRODUCTION WITH THE EXPRESSED WRITTEN PERMISSION OF SIGNCOMP.

Project Name: Series 4, 4" Square Post - Series 2/3/4 Reveal - Assembly	Sheet: 1 of 1	Size: A
Sign Company: 1333-00	Date: 4/18/2017	Drawing By: SBreihof
Part #:	Revision:	

